

GT
BICYCLES®



TECHBOOK

CONTENTS

General Information.....	2-3
FURY..... 2019	4-5
SANCTION..... 2016-2019	6-7
FORCE / SENSOR..... 2019	8-9
VERB	2016-2019 10-11
ZASKAR	2016-2019 12
PANTERA.....	2017-2019 13
GRADE.....	2015-2019 14
ePANTERA.....	2018-2019 15
eVERB.....	2018-2019 16-17
LockR Pivot.....	18
Special Brake Mounting Bolts.....	19
eTraffic.....	2018-2019 20
BMX.....	2018-2019 20
Core Models.....	21-30
Rear Derailleur Hangers	2008-2018 31-33
Freehub Bodies	2015-2018 34-36

General Information

About this Tech Book

- The information in this Tech Book manual is intended for Authorized GT Bicycle Dealers and Distributors. Information updates are performed periodically and the most recent date of an update is displayed in the lower left corner of each page. GT reserves the right to make product improvements and changes at any time without prior notice. No part of this Tech Book manual may be reproduced without prior written permission.
- The latest updated version of this Tech Book is available in PDF format at: b2b.cyclingsportsgroup.com.
- The exploded views, illustrations, and photographs are intended only as an aid to identification of available replacement parts. The frame specifications table are intended as a guide to frame and component compatibility, not the suitability of any particular part. Ultimately, questions about part compatibility should be answered by experienced bike mechanics or be directed to GT Technical Support before ordering.
- This Tech Book is NOT a complete or comprehensive service manual for the listed products. To obtain product manuals, recall information, service bulletins and/or installation instructions please visit: b2b.cyclingsportsgroup.com.
- Some service kits contain multiple parts, some contain a single part. If a service kit contains multiple individual parts (e.g. O-rings, fasteners, pivot axles), the multiple parts will be identified by a single kit\ - A, B, C...

Servicing Guidelines

- Use a properly calibrated torque wrench when tightening fasteners. Tighten fasteners to the specified torque value. Clean and apply specified high-quality thread-locking agent (e.g. Loctite™) or grease to the fastener threads.
- Whenever replacing a service wear item, also replace any related seals, O-rings, and circlips with new ones.
- When replacing parts that have been damaged due to a crash or impact, be sure to clean and inspect other parts for damage. Take corrective action before replacing damaged or broken parts.
- Damaged or removed bearings should not be re-used. Install new bearings as a set and use the correct bearing tools.
- Always thoroughly clean all parts and surfaces before assembly. Use a clean, dry shop towel. Do not use automotive spray chemicals or harsh abrasives to clean; damage to parts, finishes, or decals can result.
- All screws, nuts, bolts, etc. are metric unless noted otherwise.
- Always use the specified high-quality tools, liquids, and lubricants where indicated.

Warranty

For consumer warranty policy: please refer to the GT Limited Warranty available at www.gtbicycles.com.









For dealer warranty guidelines and claims processes: to resolve any warranty issues customers may have, please refer to our Warranty section at b2b.cyclingsportsgroup.com

Service Instructions, Technical Support, and Ordering:

For service instructions, technical support and ordering service kits please visit b2b.cyclingsportsgroup.com.

Symbols:

This Tech Book uses some icons, abbreviations, and symbols to simplify the information presented on each page. They are:

Symbol	Name	Description
	Safety alert symbol	Indicates that the related parts are safety related. Use only the kit Part Number indicated for replacements; do not substitute other parts.
	NGLI-2 synthetic grease	Apply NGLI-2 synthetic grease.
	Carbon Gel	Apply carbon gel (friction paste) KF115/
	Suspension grease	Buzzy's Slick Honey™ or R.S.P. Slick Kick
	Medium-strength removable thread lock	Apply Loctite® 242 (blue) or equivalent.
	High-strength removable thread lock	Apply Loctite® 262 (red) or equivalent.
	Medium-strength plastic fastener thread lock	Apply Loctite 425 Instant Adhesive or equivalent.
	Low strength removable thread lock	Loctite® 222
N·m	Newton meter	Indicates the specified tightening torque for the fastener. Use a correctly sized and calibrated torque wrench.

Abbreviation:

ACB - Angular Contact Bearing
 ALLY - Alloy
 BB - Bottom Bracket
 BCD - Bolt Circle Diameter
 BLK - Black
 BRGS - Bearings
 BRK - Brake
 CBL - Cable
 CR - Chain Ring
 CRB - Carbon (composite)
 CS - Chain Stay
 DIA. - Diameter
 DO - Dropout
 DS - Drive Side
 DT - Down Tube
 EXT - External
 FD - Front Derailleur
 FT - Front

FTR - Front Triangle
 GRDS - Guard
 GRN - Green
 HDWE - Hardware
 HGR - Hanger
 HGRM - Hollowgram
 HT - Head Tube
 I.D. - Inside Diameter
 in - Inches
 INT - Internal
 kg - kilograms
 kgf - kilogram-force
 lbs - pounds
 LFT - Left
 LNK - Link
 LWR - Lower
 MAX. - Maximum
 MIN. - Minimum

MP - Main Pivot
 mm - millimeters
 MNT - Mount
 MTN - Mountain
 N/A - Not Applicable
 NDS - Non-Drive Side
 -- Not Pictured
 N·m - Newton Meter
 O.D. - Outside Diameter
 ORG - Orange
 p/n - Part Number
 psi - pounds per square inch
 QR - Quick Release
 QTY - Quantity
 RD - Rear Derailleur
 RGT - Right
 RR - Rear
 SST - Seat Stay

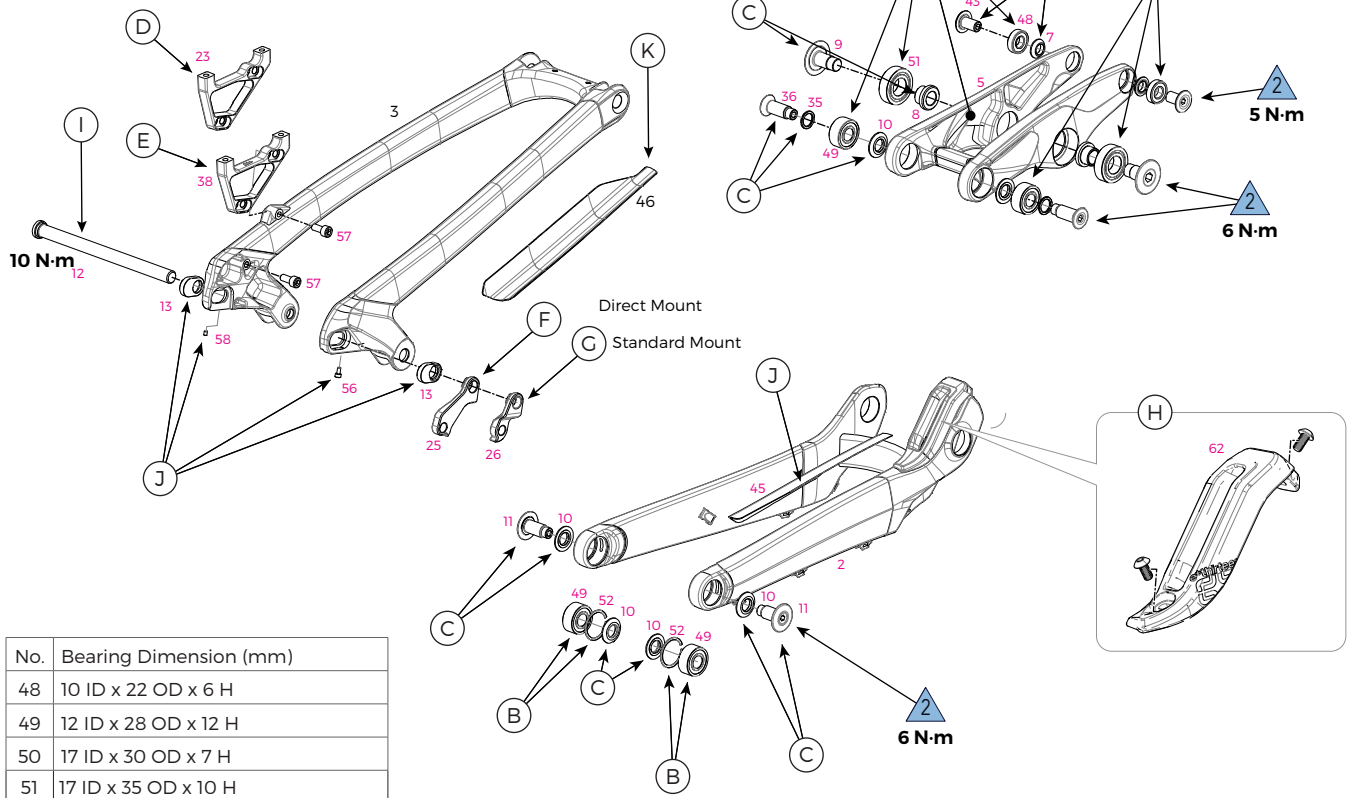
ST - Seat Tube
 TA - Thru-Axle
 TC - Top Cap
 w/ - With
 WHT - White
 Wmn - Womens'
 UPR - Upper

FURY (2019)

CARBON

Item	Specification	
Wheel Size	27.5 in	29 in
Rear Travel	200 mm	
Head Tube	1.5 in with Fury Specific Cups	
Headset	UPR: 1-1/8 in (41.1 mm OD), LWR: 1-1/8 in (41.1 mm OD)	
Bottom Bracket: Type/Width	BSA / 83 mm	
Front Derailleur	N/A	
Seat Post: Dia./Binder	31.6 mm / 34.9 mm	
▲ Min. Seat Post Insert	100 mm	
▲ Tire Size x Max. Width (measured)	27.5 in x 2.6 in	29 in x 2.5 in
▲ Max. Fork Length	595 mm	600 mm
Rear Shock: Eye-To-Eye / Stroke / Bushing Width	225 mm / 75 mm / 22.2 mm x 8mm	

Item	Specification	
Wheel Size	27.5 in	29 in
Sag (measured at the shock)	17.1 mm recommended / 20.6 mm Max.	17.5 mm recommended / 20.8 mm Max.
Chain Guide	Chainstay Integrated Idler with ISCG 05	
Rear Brake: Mount Type / Min/Max Rotor Dia.	Post Mount / 203 mm Shimano, 200 mm SRAM	
Rear Axle: Type/Length	Fury Specific TA / 148 x 12 mm	
▲ Intended Use	ASTM CONDITION 5, Downhill	
▲ Max. Weight Limit Total (rider+all equipment):	305 lbs / 138 kg	

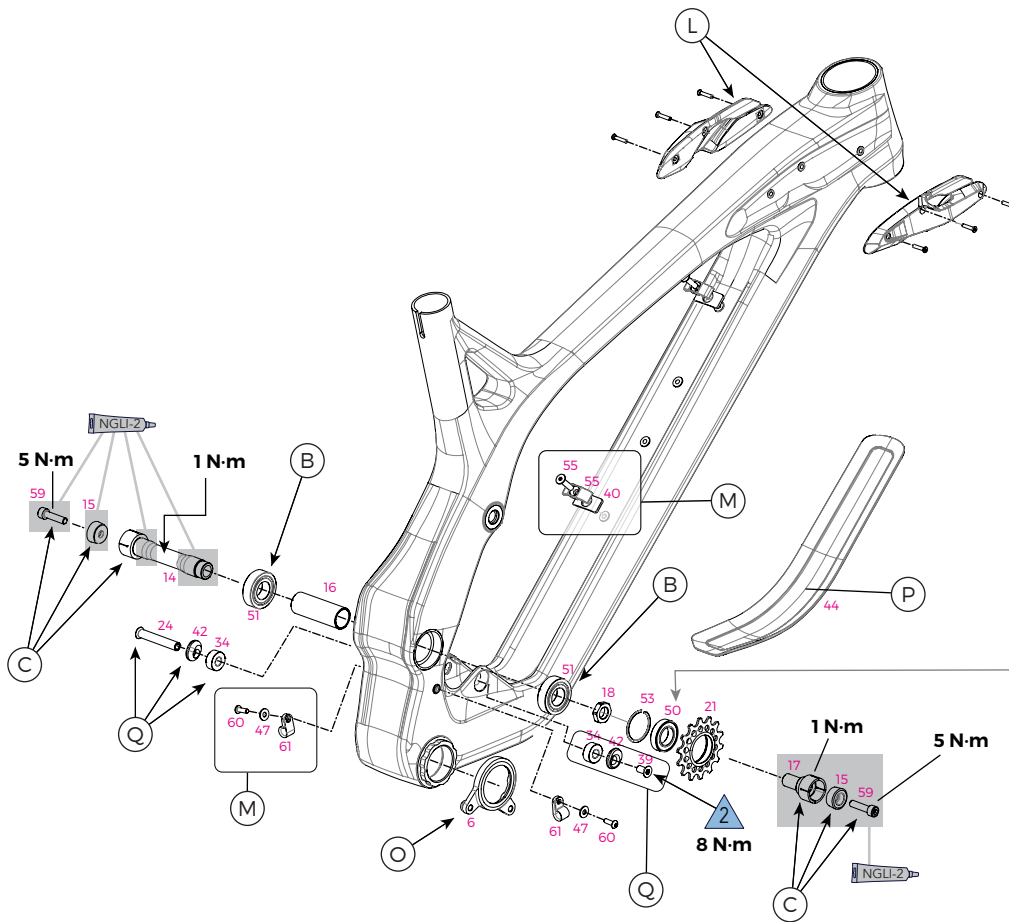


ID	Part Number	Description	27.5	29
A	K91089	Fury Suspension Link 27.5/29	✓	✓
B	K36189	Fury Pivot CS SS Link Bearings	✓	✓
C	K36199	Fury Pivot Hardware	✓	✓
D	K31049	ISO Shimano 203 mm Brake Mnt	✓	✓
E	K31059	SRAM 200 mm Brake Mount	✓	✓
F	K33029	Derailleur Hanger TA DM SS 071	✓	✓







ID	Part Number	Description	27.5	29
G	K33039	Derailleur Hanger TA ST SS 072	✓	✓
H	K91109	Fury Idler Guide	✓	✓
I	K83009	Fury 148x12 Thru Axle	✓	✓
J	K34189	Fury Chainstay Protector	✓	✓
K	K34199	Fury Seatstay Protector	✓	✓
R	K91099	Dropout Thru Axle Flip Chips	✓	✓

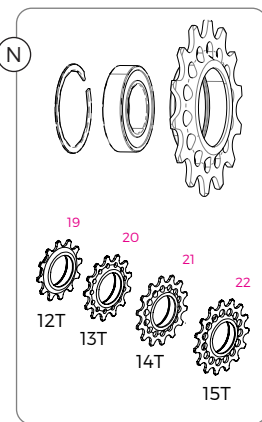
FURY (2019)

CARBON

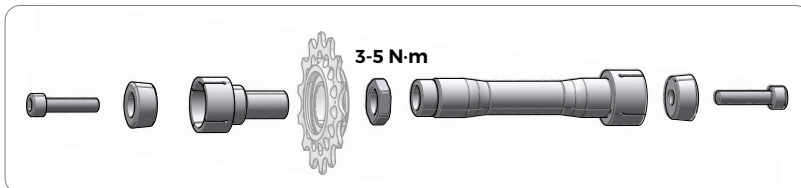


ZERO STACK OPTIONS

UPPER 27.5/29		
0 mm Offset	31	 (S)
3.5 mm Offset	28	 (T)
LOWER 27.5		
0 mm Offset	32	 (T)
3.5 mm Offset	29	 (U)
LOWER 29		
0 mm Offset	33	 (U)
3.5 mm Offset	30	 (U)



Main Pivot Assembly - Exploded View



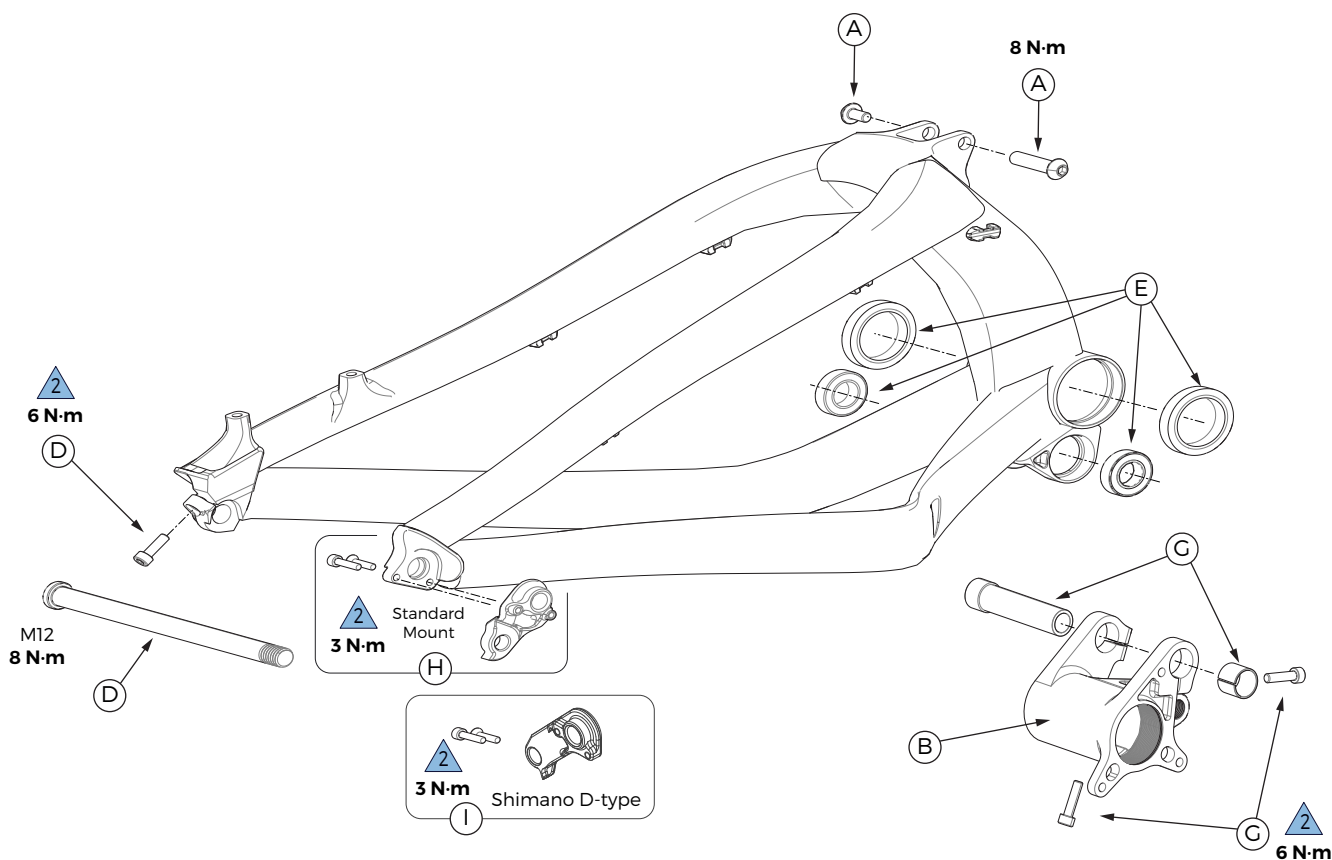
ID	Part Number	Description	27.5	29
L	K34119	Fury Top Tube Fork Bumper Plates	✓	✓
M	K32039	Fury Cable Guides DT ST	✓	✓
N	K2202912	Idler Cog with Bearing 12T	✓	✓
	K2202913	Idler Cog with Bearing 13T	✓	✓
	K2202914	Idler Cog with Bearing 14T	✓	✓
	K2202915	Idler Cog with Bearing 15T	✓	✓
O	K22039	GT ISCG Mount 2 Bolt	✓	✓

ID	Part Number	Description	27.5	29
P	K34179	Fury Downtube Protector	✓	✓
Q	K36209	Fury Shock Mount Hardware	✓	✓
S,T	K3504927	Headset Cups 0mm and 3.5mm Offsets 27.5	✓	
T,U	K3504929	Headset Cups 0mm and 3.5mm Offsets 29		✓

SANCTION (2016-2019)

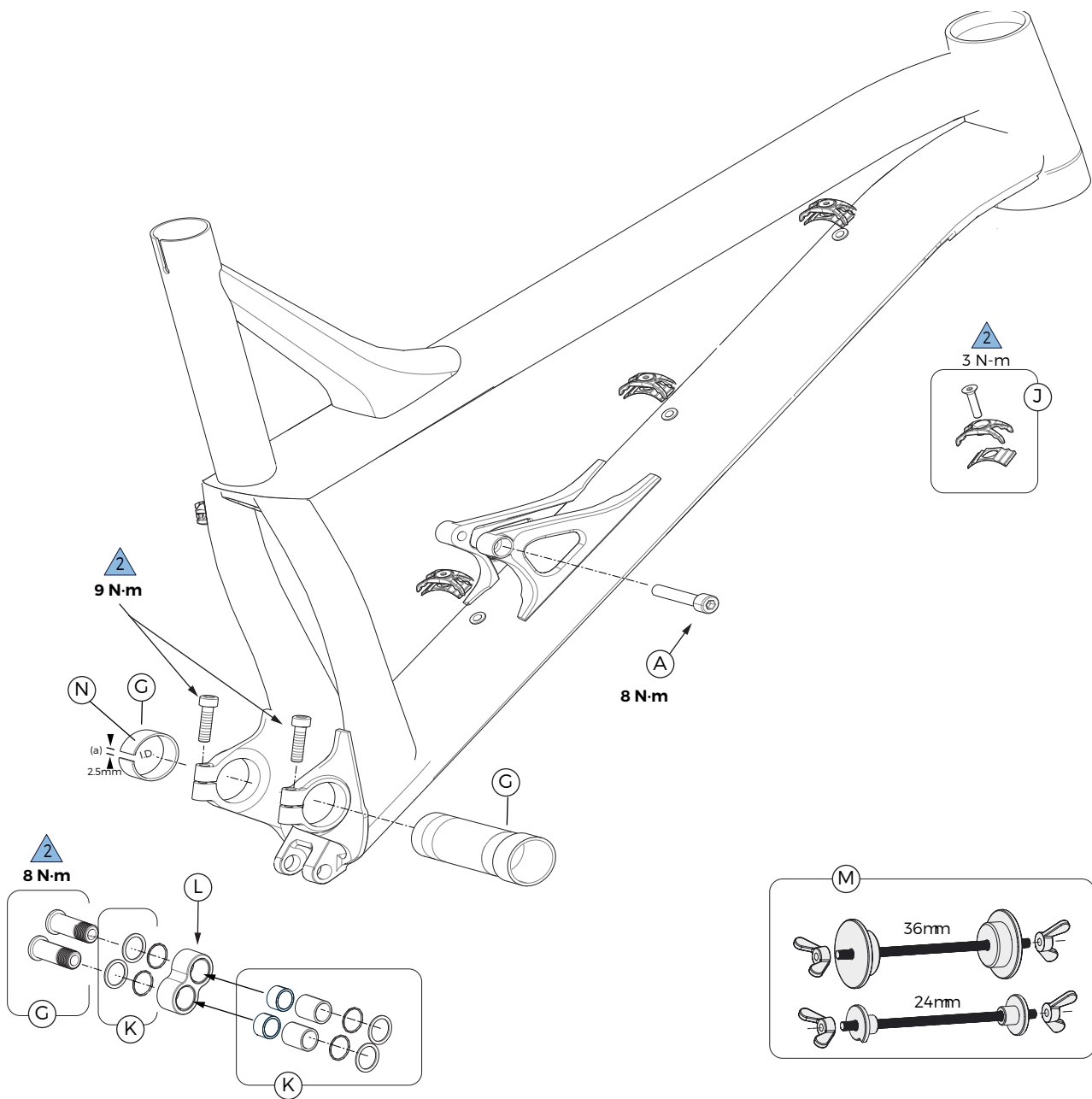
Item	Specification
Wheel Size	27.5 in
Rear Travel	165 mm
Head Tube	UPR: 1-1/8 in LWR: 1-1/2 in
Headset	Integrated, 1-1/8 in - 1-1/2 in
Bottom Bracket: Type/Width	BSA / 73 mm
Front Derailleur	N/A
Seat Post: Dia./Binder	31.6 mm / 34.9 mm
▲ Min. Seat Post Insert	75 mm
▲ Tire Size x Max. Width	27.5 in x 2.5 in (measured)
▲ Max. Fork Length	569 mm

Item	Specification
Rear Shock: Eye-To-Eye / Stroke / Bushing Width	216 mm x 63 mm FT: 21.8 x 8 mm / RR: 21.8 x 8 mm
Sag	33 %
Chain Guide	ISCG 05
Rear Brake: Mount Type / Min/Max Rotor Dia.	Post Mount / 180 mm
Rear Axle: Type/Length	TA / 142 x 12 mm, 174.5 mm length
▲ Intended Use	ASTM CONDITION 4, All-Mountain
▲ Max. Weight Limit Total (rider+all equipment):	305 lbs / 138 kg



ID	Part Number	Description
A	KG0052N01	Sanction Shock Bolts
B	KG0051N01	Sanction i-Drive Link 73mm
D	KG0023N03	Sanction Thru Axle 12 x 142
E	KG0050N01	Sanction Pivot Bearings
G	KG0049N01	Sanction BB link axle
H	KG0006N02	Derailleur Hanger TA ST SS 056 Standard Mount
I	KG0007N02	Derailleur Hanger TA DM SS 057 Shimano Direct Mount

SANCTION (2016-2019)



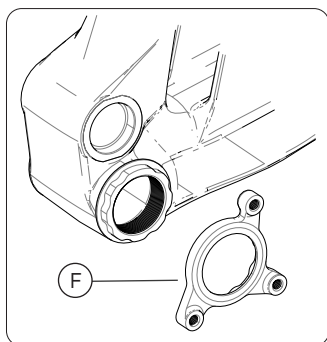
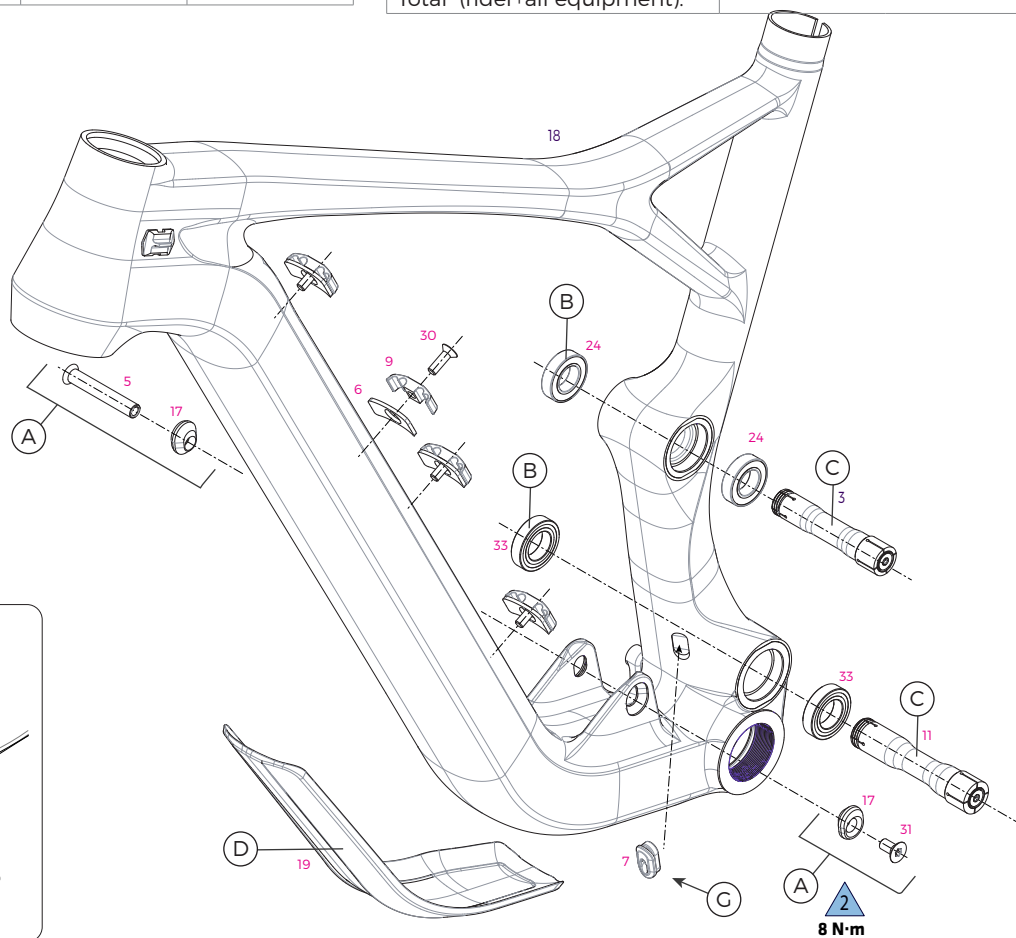
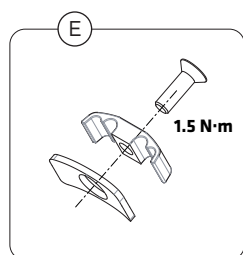
ID	Part Number	Description
j	K32007	Downtube X Cable Guides (QTY 3)
K	KG0025N02	Sanction/Fury Dogbone Bushings
L	KG0027N02	Sanction/Fury Dogbone
M	KG0030N02	GT Bearing Preload Tool
N	KG0049N05	Sanction Split Ring

FORCE / SENSOR (2019)

CARBON / ALLOY

Item	Specification	
Model	FORCE	SENSOR
Wheel Size	27.5 in	29 in
Rear Travel	150 mm	130 mm
Head Tube	UPR: 1-1/8 in. LWR: 1-1/2 in	
Headset	Integrated, UPR: 1-1/8 in. LWR: 1-1/2 in	
Bottom Bracket: Type/ Width	BSA / 73 mm	
Front Derailleur	N/A	
Seat Post: Dia./Binder	31.6 mm/ 34.9 mm	
▲ Min. Seat Post Insert	100 mm	
▲ Tire Size x Max. Width	27.5 in x 2.5 in (measured)	29 in x 2.35 (measured)
▲ Max. Fork Length	550 mm	540 mm

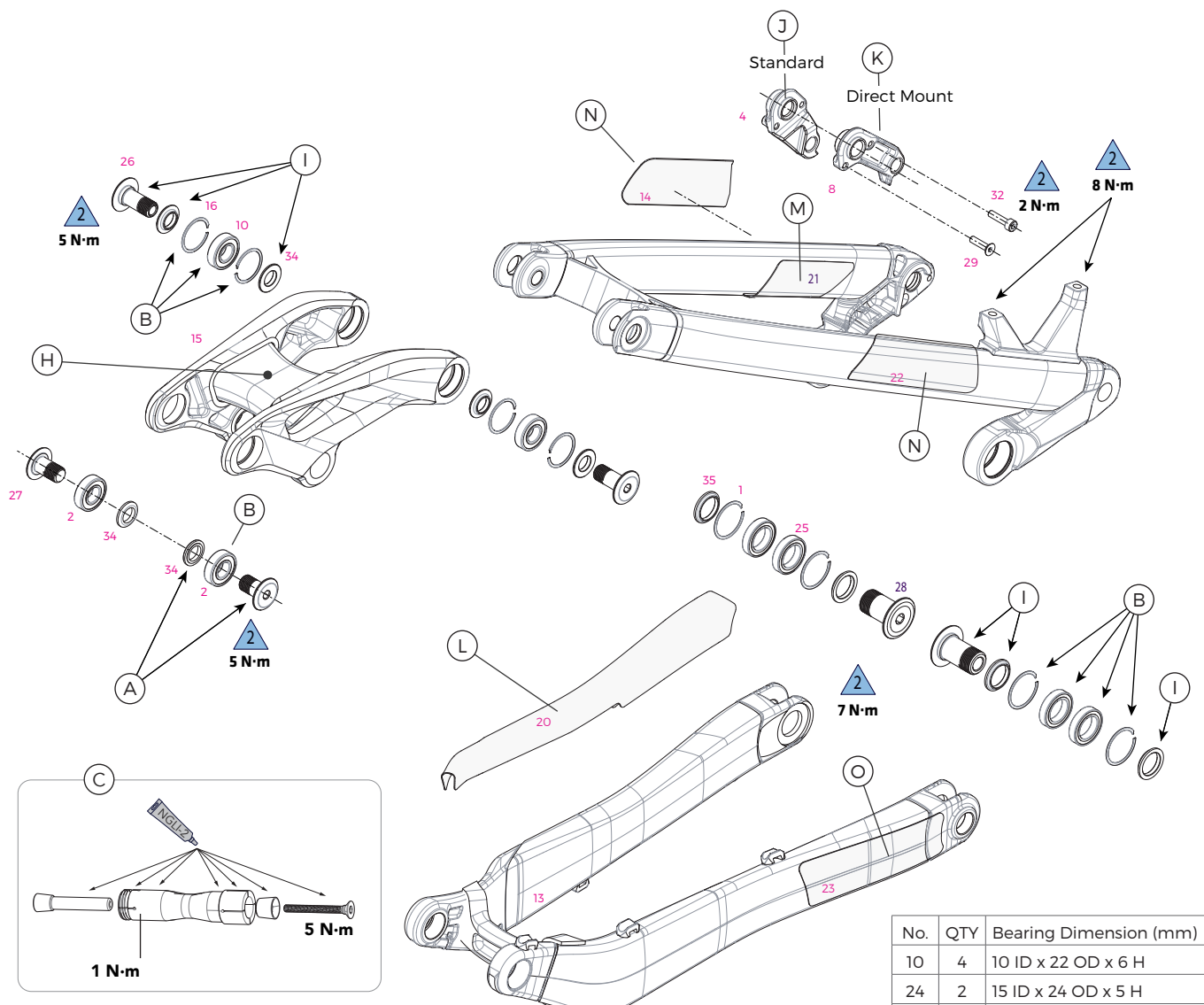
Item	Specification	
Model	FORCE	SENSOR
Rear Shock: Eye-To-Eye / Stroke / Bushing Width	185 mm x 55 mm Metric Trunnion/ 37.6 mm x M8	185 mm x 50 mm Metric Trunnion/ 37.6 mm x M8
Sag (measured at shock)	12.5 mm	12 mm
Chain Guide	ISCG 05	
Rear Brake: Mount Type / Min/Max Rotor Dia.	Post Mount / 180 mm / 203 mm	
Rear Axle: Type/Length	Maxle TA / 148 x 12mm, 180 mm Length	
▲ Intended Use	ASTM CONDITION 4, All-Mountain	
▲ Max. Weight Limit Total (rider+all equipment):	305 lbs / 138 kg	



ID	Part Number	Description	FORCE	SENSOR
A	K36038	Force/Sensor Shock Bolts and Flip Chips	✓	✓
B	K36008	Force/Sensor Pivot Link CS Bearings	✓	✓
C	K36009	Expanding Axle Hardware 79mm and 87mm	✓	✓
D	K34009	Force/Sensor DT Protector	✓	✓
E	K32008	GT Mountain Cable Guide x4	✓	✓
F	K22059	GT ISCG Mount 3 Bolt	✓	✓
G	K32048	Shift and Brake Grommets	✓	✓

FORCE / SENSOR (2019)

CARBON / ALLOY

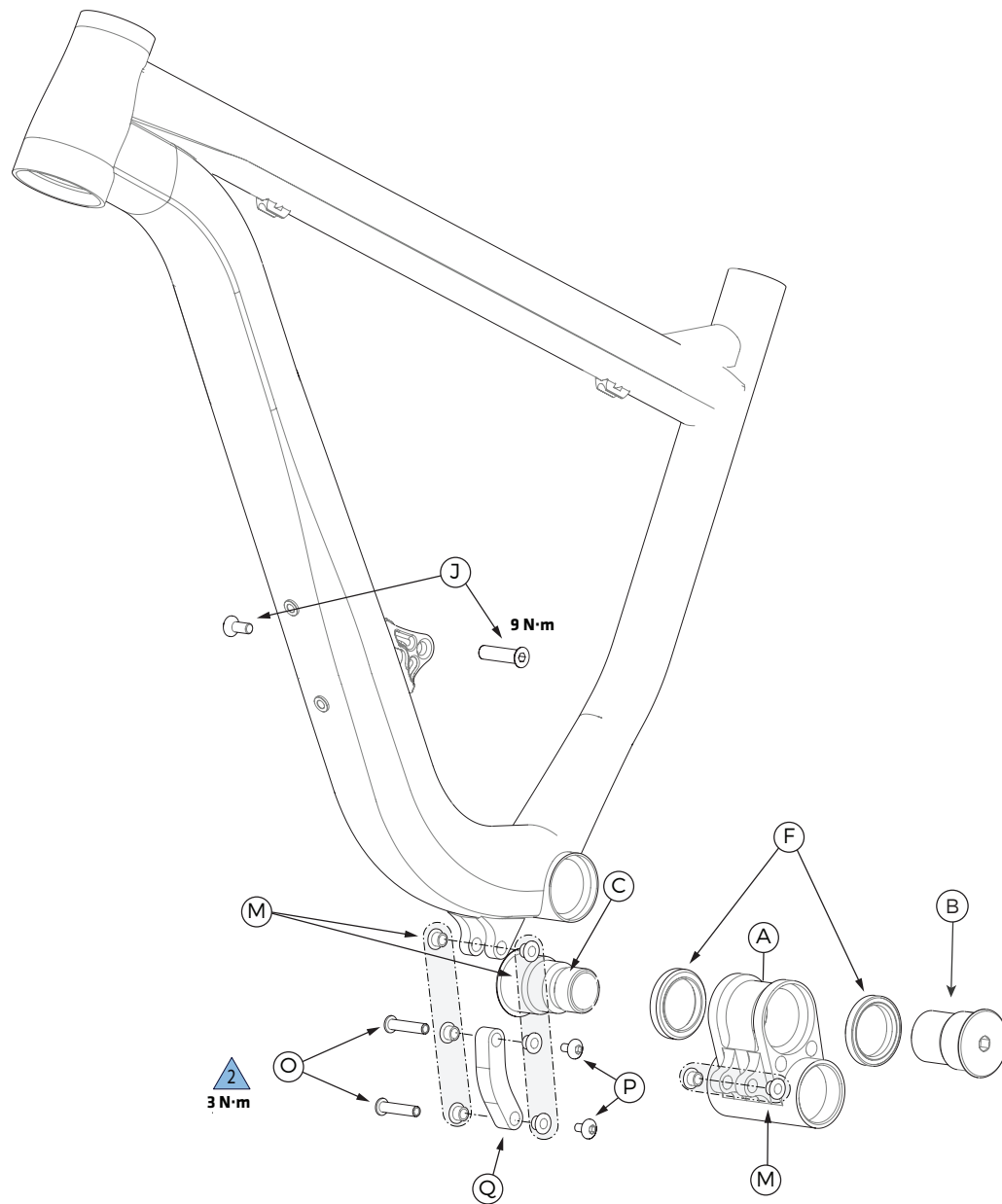


See **LOCKR** for instructions.

ID	Part Number	Description	FORCE	SENSOR
H	K36069	Force Suspension Link 27.5 BLK	✓	
	K36059	Sensor Suspension Link 29/27.5+ BLK		✓
I	K36028	Force/Sensor Link CS Hardware	✓	✓
J	KG0006N02	Derailleur Hanger TA ST SS 056	✓	✓
K	KG0007N02	Derailleur Hanger TA DM SS 057	✓	✓
L	K34019	Force/Sensor CS Protector	✓	✓
M	K34029	Force/Sensor SS Protector	✓	✓
N	K34039	Force/Sensor SS Heel Rub Guard	✓	✓
O	K34049	Force/Sensor CS Heel Rub Guard	✓	✓
--	K34279	Force/Sensor Shock and ST Rub Protectors	✓	✓
--	K34269	Force/Sensor Link CS Pivot Covers	✓	✓

VERB (2016-2019)

CARBON / ALLOY

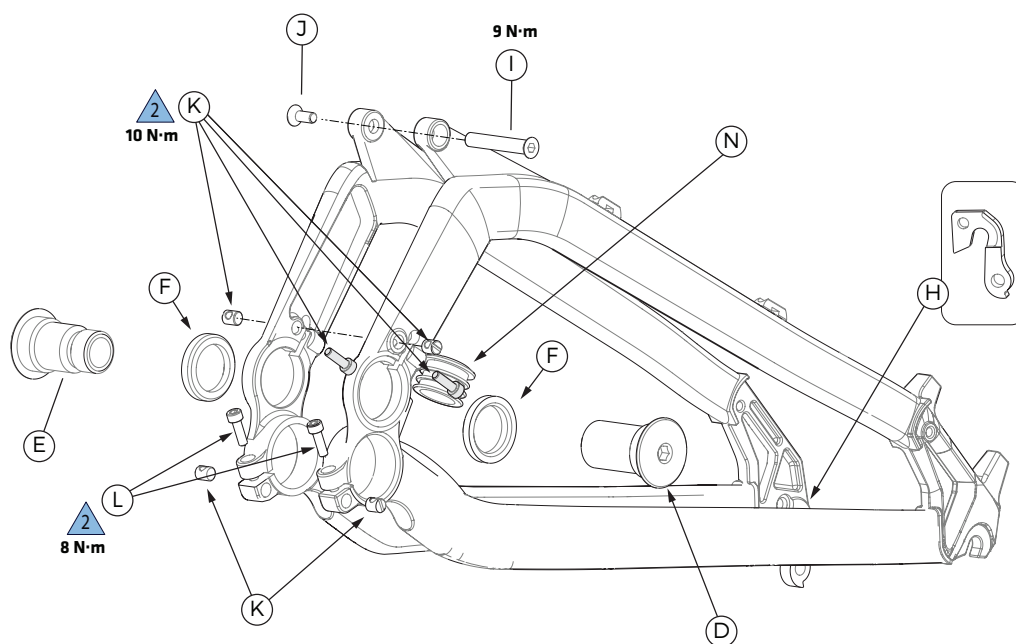


ID	Part Number	Description
A	KG0096N01	Verb Pathlink
B	KG0094N01	Verb Bottom Bracket Pivot Female
C	KG0095N01	Verb Bottom Bracket Pivot Male
D	KG0097N01	Verb Main Pivot Female
E	KG0098N01	Verb Main Pivot Male
F	KG0099N01	Verb Main Pivot Bearing (QTY-2) (1 Kit needed for MP, 1 Kit needed for BB Pivot)
H	ATIDH0246	Derailleur Hanger QR ST SS 054
I	ATIOT3850	Verb Rear Shock Bolt Female

VERB (2016-2019)

Item	Specification
Wheel Size	27.5 in
Rear Travel	120 mm
Head Tube	UPR: 1-1/8 in, LWR: 1-1/2 in
Headset	Semi Integrated, 1-1/8 in - 1-1/2 in
Bottom Bracket: Type/ Width	BSA / 73 mm
Front Derailleur Clamp Dia. / Type	31.8 mm, Dual Pull
Seat Post: Dia./Binder	31.6 mm / 34.9 mm
▲ Min. Seat Post Insert	75 mm
▲ Tire Size x Max. Width	27.5 in x 2.3 in
▲ Max. Fork Length	529 mm

Item	Specification
Rear Shock: Eye-To-Eye / Stroke / Bushing Width	165 x 38 mm FT: 21.8 mm x 8 mm, RR: 21.8 mm x 8 mm
Sag	25%-33%
Chain Guide	N/A
Rear Brake: Mount Type / Min/Max Rotor Dia.	Post Mount / 160 mm / 180 mm
Rear Axle: Type/Length	QR / 135 mm x 9 mm
▲ Intended Use	ASTM CONDITION 3, Cross-Country, Marathon
▲ Max. Weight Limit Total (rider+all equipment):	305 lbs / 138 kg



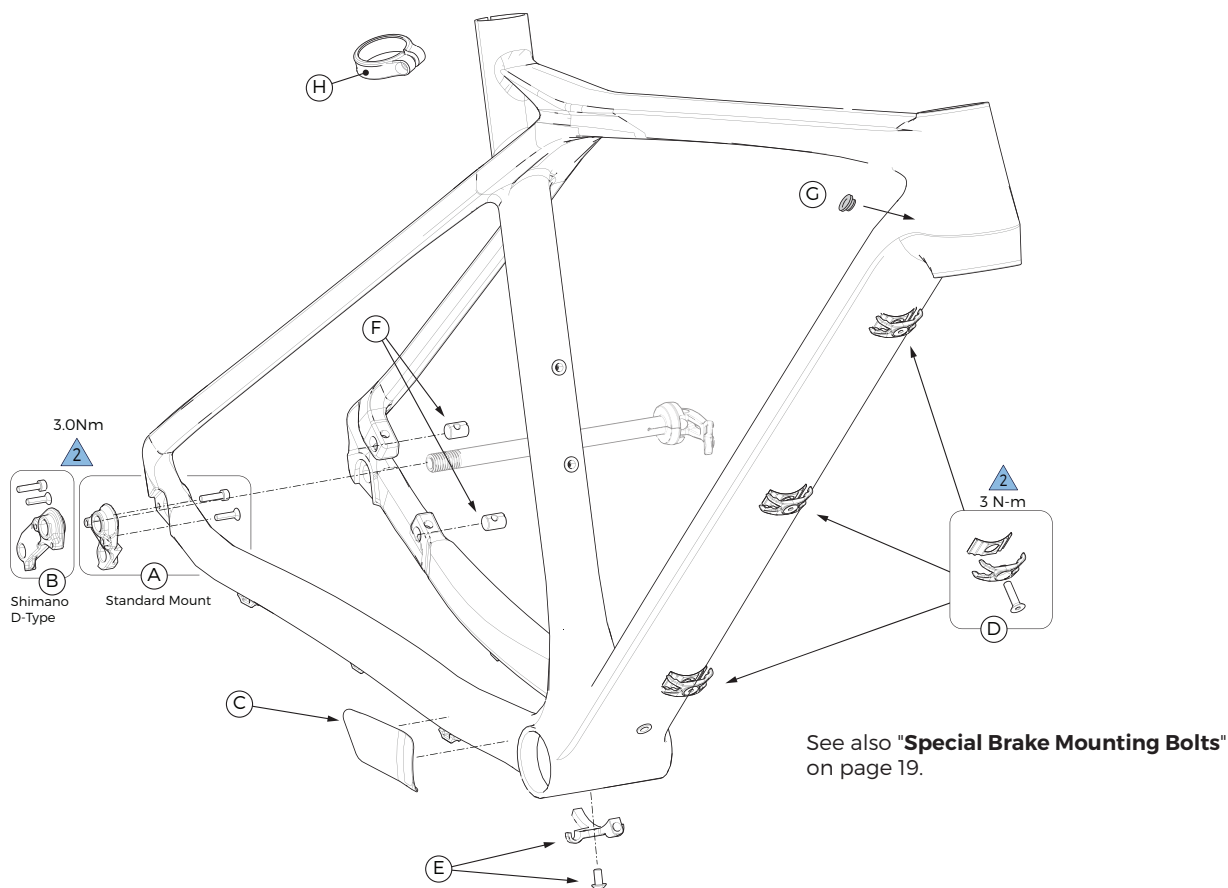
ID	Part Number	Description
J	KG0003N02	GT Full Suspension Shock Bolts (uppers & lower male)
K	ATINT0031	Nut, Barrel M5. For ID XC (QTY 1)
L	KG0100N01	Verb Main Pivot Bolt M5x16L (QTY 4)
M	K36219	Dogbone Bushings 6x8x6 (QTY 8)
N	ATIPT0058	Derailleur Tube Cap
O	ATIOT4963	Screw M6 Female (QTY 1)
P	ATIOT4964	Screw M6 Male V2 (QTY 1)
Q	KG0101N01	Verb Dog Bone

ZASKAR (2018-2019)

CARBON / ALLOY

Item	Specification	
Frame Materials	Carbon	Alloy
Wheel Size	29 in	
Head Tube	UPR: 1-1/8 in. LWR: 1-1/2 in	
Headset	Integrated ACB 1-1/8 in - 1-1/2 in	
Bottom Bracket: Type/Width	PF92	BSA 73 mm
Front Derailleur Clamp Dia. / Type	34.9mm /Dual Pull	
Seat Post: Dia. / Binder	31.6 mm / 35 mm	30.9 mm / 35 mm
▲ Min. Seat Post Insert	75 mm	

Item	Specification	
Frame Materials	Carbon	Alloy
▲ Tire Size x Max. Width	27.5 in x 2.3 in / 29 in x 2.3 in	
▲ Max. Fork Length	27.5: 489 mm 29: 505 mm	
Rear Brake: Mount Type / Min/Max Rotor Dia.	Post Mount / 160 mm / 180 mm	
Rear Axle: Type / Length	MAXLE TA / 142mm x 12mm	QR / 135mm x 9mm
▲ Intended Use	ASTM CONDITION 3, Cross-Country, Marathon	
▲ Max. Weight Limit Total (rider+all equipment):	305 lbs / 138 kg	



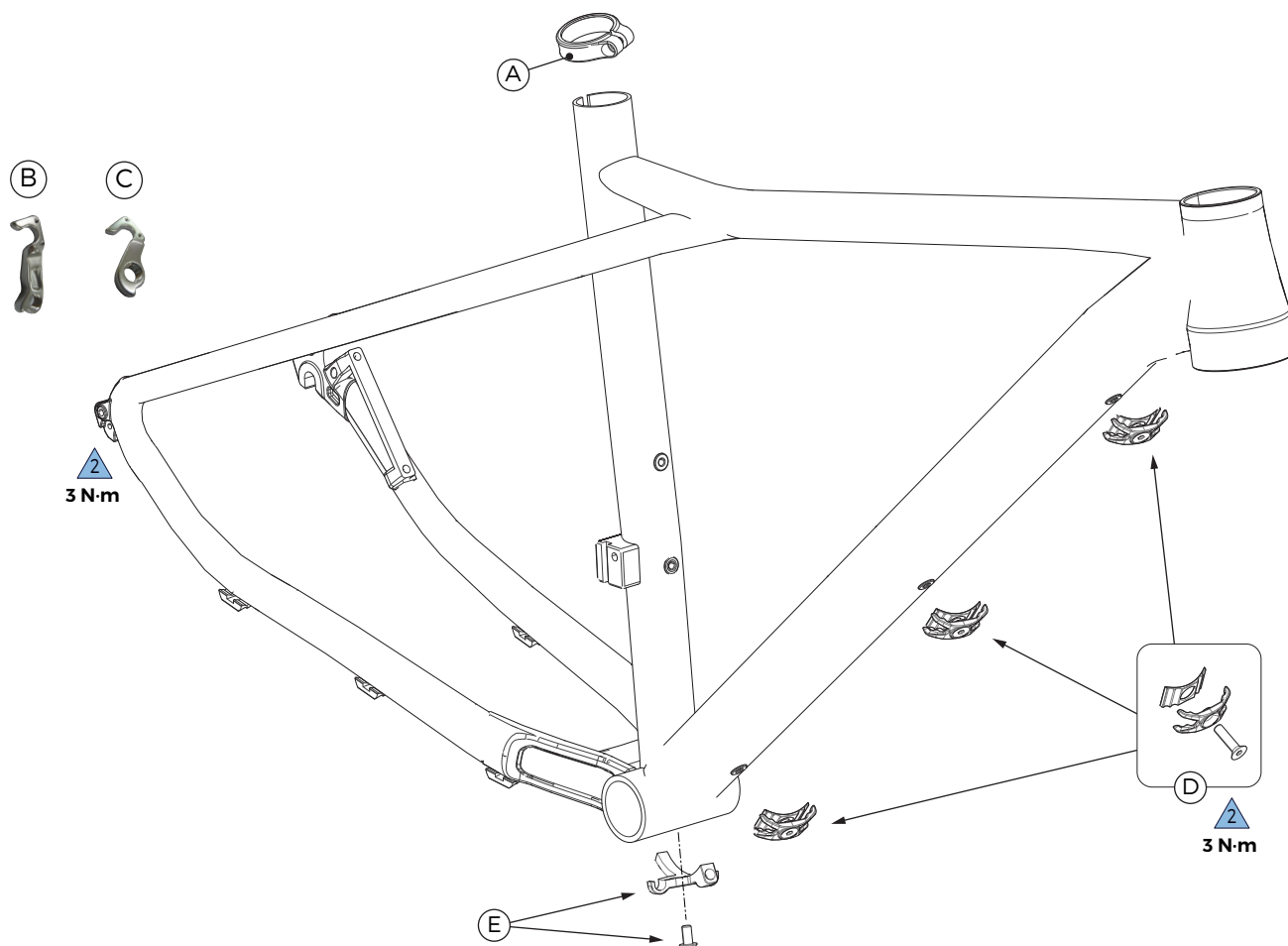
ID	Part Number	Description
A	KG0006N02	Derailleur Hanger TA ST SS 056 Standard Mount
B	KG0007N02	Derailleur Hanger TA DM SS 057 Shimano Direct Mount
C	KG0103N01	Zaskar Carbon Chainsuck Protector
D	K32007	Downtube X Cable Guides (QTY-3)
E	KG0102N01	GT Hardtail Bottom Bracket Cable Guide
F	KG0017N02	M6 Post Mount Barrel Nut (QTY 10)
G	K32048	Shift & Brake Grommets
H	KG0057N01	Seatbinder GT 35mm

PANTERA (2017-2019)

ALLOY

Item	Specification
Wheel Size	27.5 +
Head Tube	UPR: 1-1/8 in, LWR: 1-1/2 in
Bottom Bracket: Type/Width	BSA / 73mm
Front Derailleur Clamp Dia. / Type	High Direct Mount / Bottom Pull
Seat Post: Dia./Binder	30.9mm / 35mm
▲ Min. Seat Post Insert	75 mm
▲ Tire Size x Max. Width	27.5 in x 2.8 in
▲ Max. Fork Length	522 mm

Item	Specification
Rear Brake: Mount Type / Min/Max Rotor Dia.	Post Mount, 160 mm
Rear Axle: Type / Length	Boost QR / 141 mm x 9 mm
▲ Intended Use	ASTM CONDITION 3, Cross-Country, Marathon
▲ Max. Weight Limit Total (rider+all equipment):	305 lbs / 138 kg

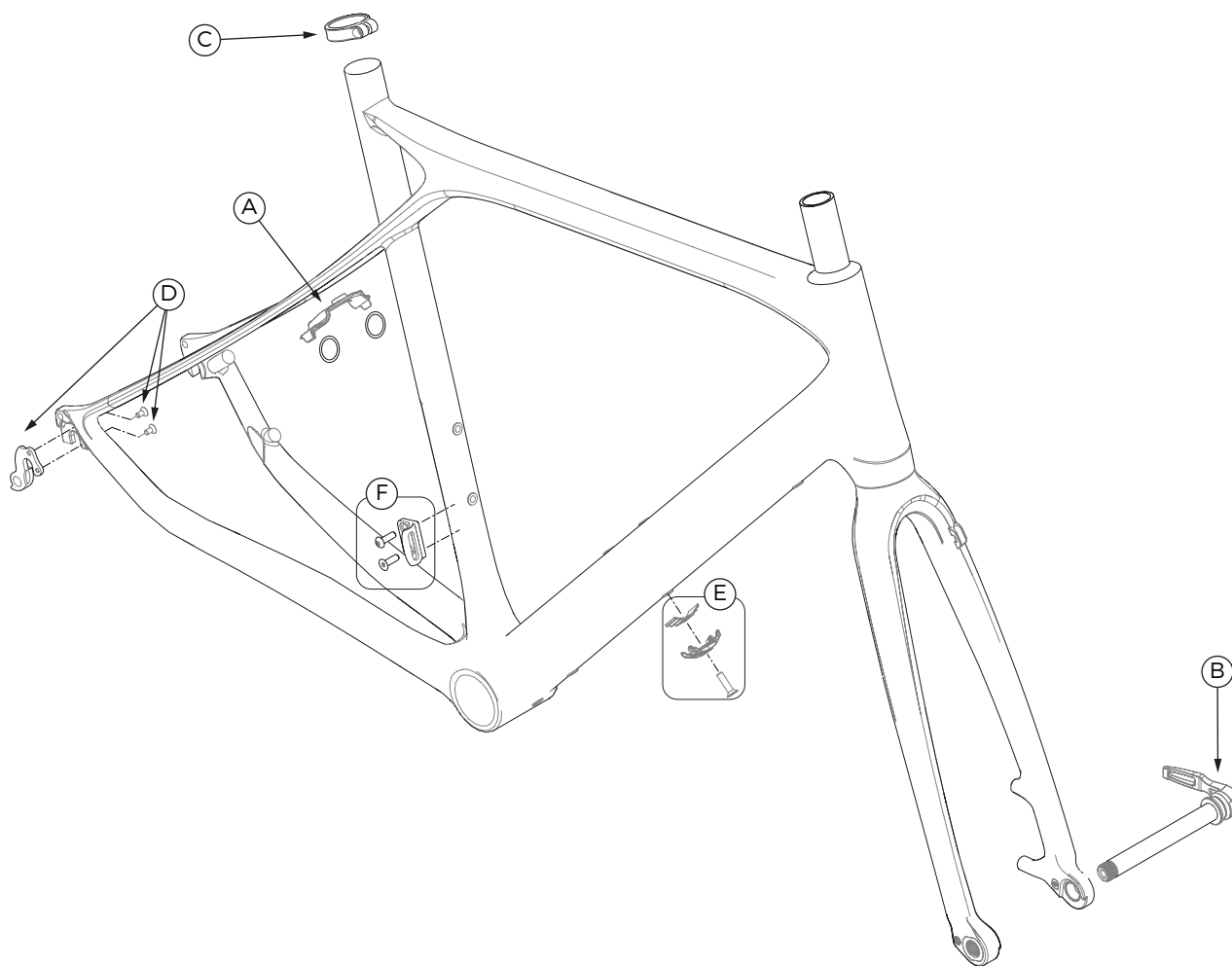


ID	Part Number	Description
A	KG0057N01	Seatbinder GT 35mm
B	K33047	Derailleur Hanger QR ST SS 004
C	K33027	Derailleur Hanger QR DM SS 002
D	K32007	Downtube X Cable Guides (QTY 3)
E	KG0102N01	GT Hardtail Bottom Bracket Cable Guide
--	K83039	QR Skewer 141x9 158 mm

GRADE (2015-2019)

Item	Specification
Wheel Size	700c
Head Tube	UPR: 1-1/8 in, LWR: 1-1/4 in
Bottom Bracket: Type/Width	CRB: PF30 / 68 mm ALLY: BSA / 68 mm
Front Derailleur Clamp Dia. / Type	Braze-on
Seat Post: Dia./Binder	27.2 mm / 30.9 mm
▲ Min. Seat Post Insert	75 mm

Item	Specification
▲ Tire Size x Max. Width	700c X 35 mm (measured)
Rear Brake: Mount Type / Min/Max Rotor Dia.	Post Mount, 160 mm
Axles: Type / Length	RR: QR / 135 mm x 9 mm FT: TA / 100 mm x 15 mm
▲ Intended Use	ASTM CONDITION 2, General Purpose Riding
▲ Max. Weight Limit Total (rider+all equipment):	285 lbs / 129 kg

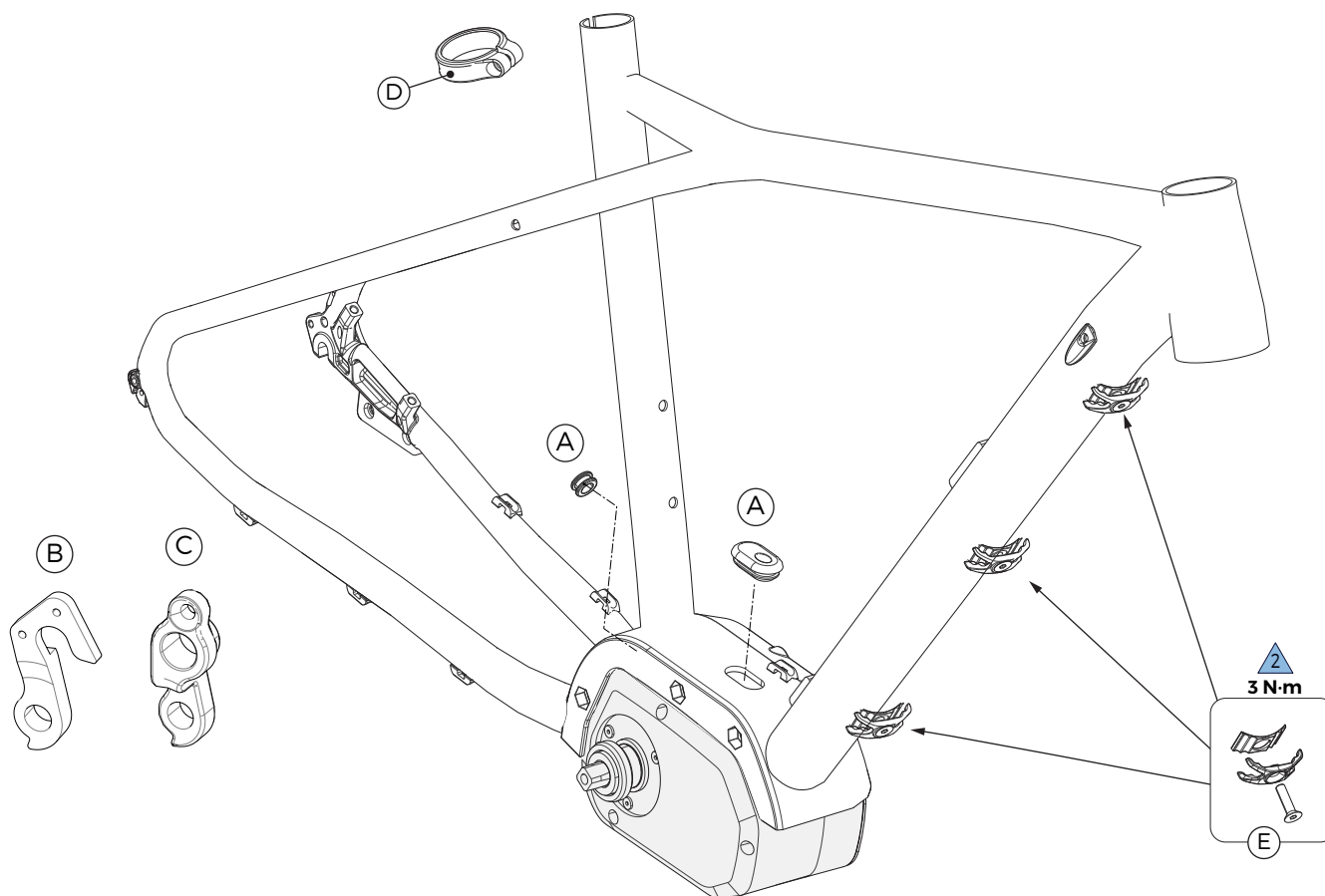


ID	Part Number	Description
A	KG0053N01	Grade Carbon Fender Mount
B	KG0048N01	Thru Axle QR Type M15
C	KG0060N01	Seatbinder GT 30.9 mm
D	ATIDH0183	Derailleur Hanger QR ST SS 045
E	K32007	Downtube Cable Guides (QTY-3)
F	KG0106N01	Grade Front Derailleur Mount

ePANTERA (2018-2019)

Item	Specification	
	ePantera Bolt	ePantera Dash
Drive System	Shimano E8000	Shimano E6000
Battery	BT-8010 504 Wh	BT-6010 418 Wh
Drive-Assist Owners Manual	https://si.shimano.com/	
Head Tube	UPR: 1-1/8 in LWR: 1-1/2 in	
Headset	Semi Integrated, 1-1/8 in - 1-1/2 in	
Bottom Bracket: Type/ Width	Shimano Drive Unit	
Front Derailleur	N/A	
Seat Post: Dia./Binder	31.6 mm / 35 mm	
▲ Min. Seat Post Insert	75 mm	

Item	Specification	
	ePantera Bolt	ePantera Dash
▲ Tire Size x Max. Width	27.5 in x 2.8 in (measured)	
▲ Max. Fork Length:	522 mm	
Brakes: Mount Type / Min/Max Rotor Dia.	Post Mount / 160 mm / 180 mm	
Axles: Type/Length	MAXLE TA / 148mm x 12mm	QR / 141 mm x 9 mm
▲ Intended Use:	ASTM CONDITION 3, Cross-Country, Marathon	
▲ Max. Weight Limit: Total (rider+all equipment):	305 lb / 138 kg	

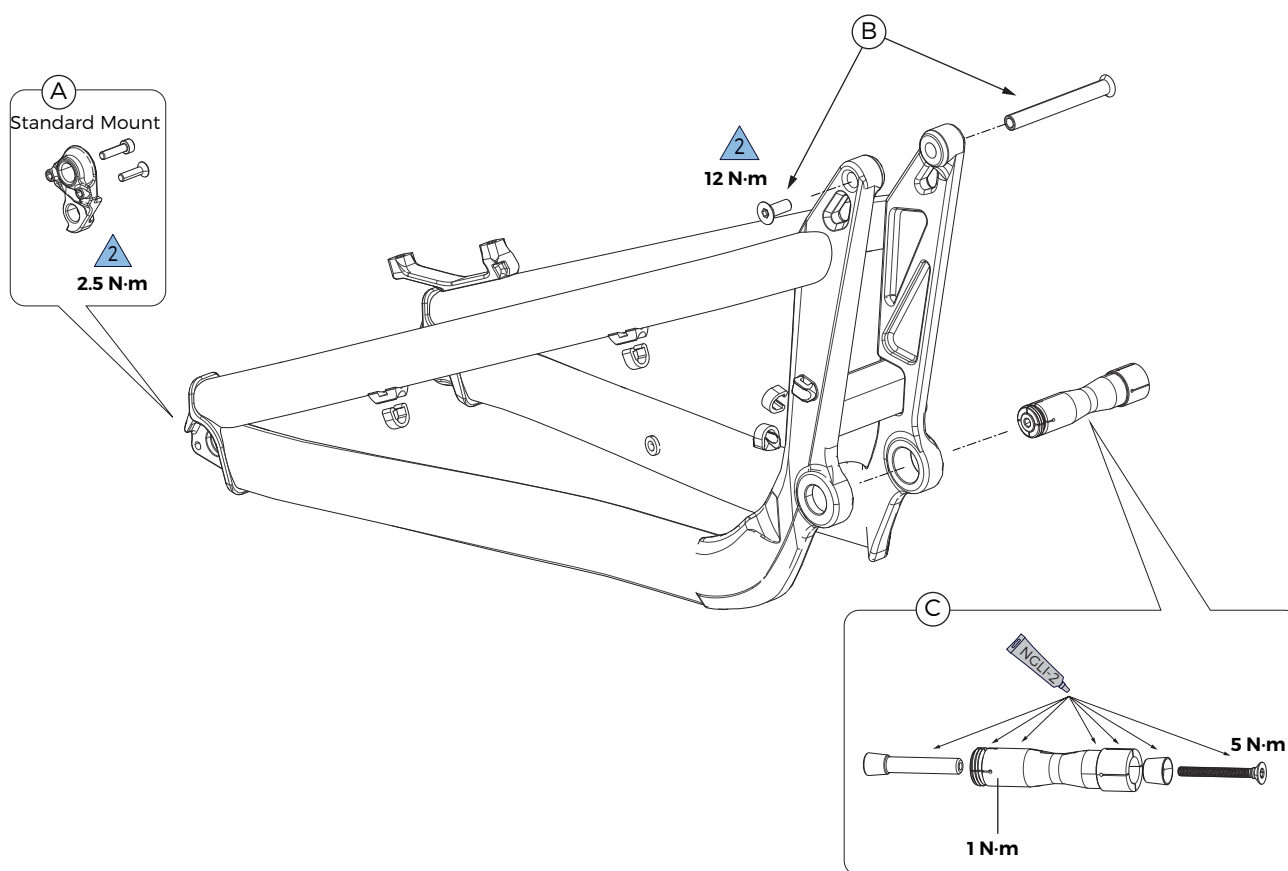


ID	Part Number	Description	ePantera Bolt	ePantera Dash
A	K32028	Ebike Frame Grommets	✓	✓
B	ATIDH0233	Derailleur Hanger QR ST SS 003		✓
C	K33059	Derailleur Hanger TA ST SS 074	✓	
D	KG0057N01	Seatbinder GT 35mm	✓	✓
E	K32007	Downtube X Cable Guides (QTY-3)	✓	✓

eVERB (2018-2019)

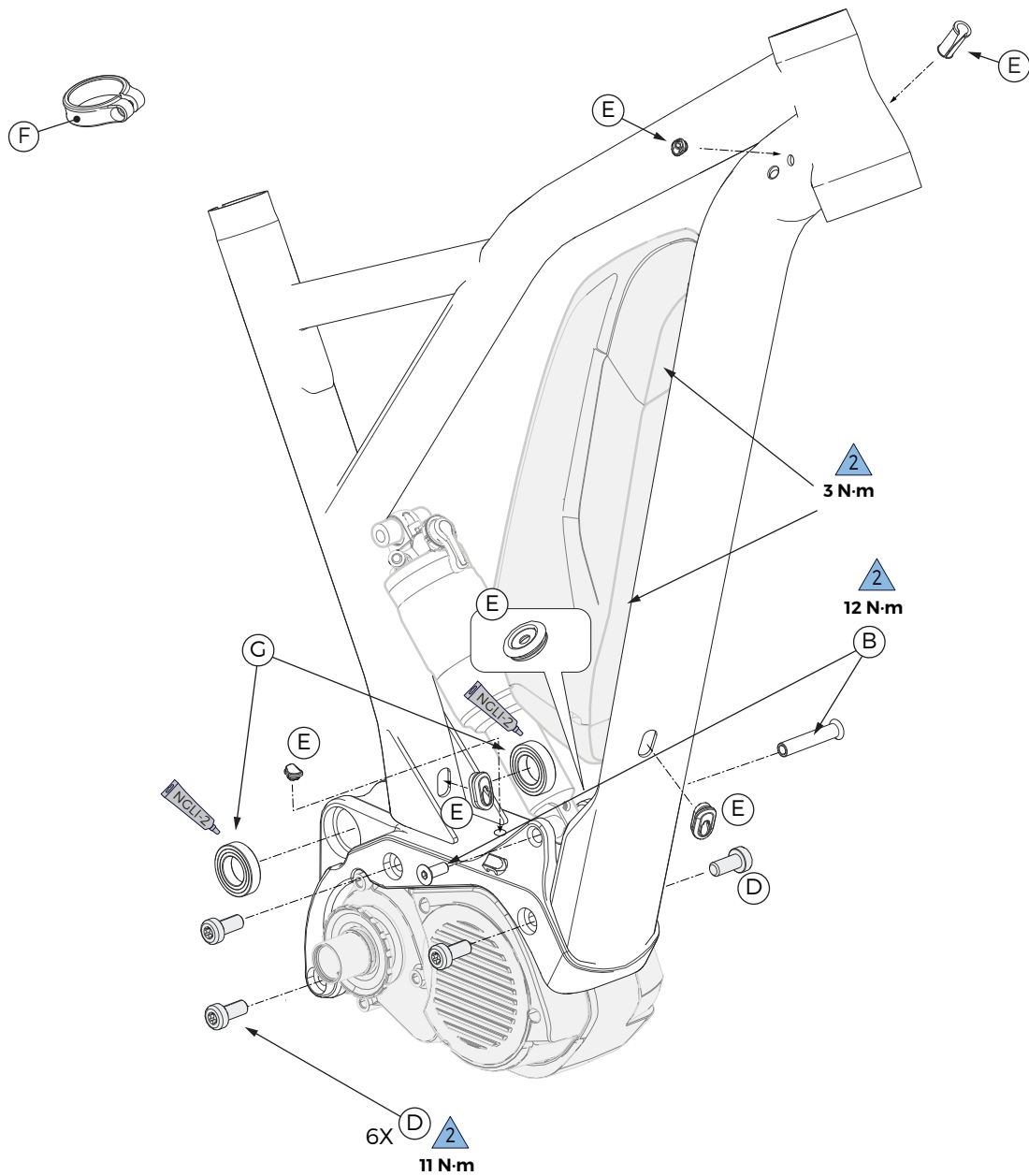
Item	Specification	
	eVerb Amp	eVerb Current
Drive System	Shimano e8000	
Battery	BT-E8010	
Drive-Assist Owners Manual	https://si.shimano.com	
Rear Travel	120 mm	
Head Tube	UPR: 1-1/8 in LWR: 1-1/2 in	
Headset	Semi Integrated, 1-1/8 in - 1-1/2 in	
Bottom Bracket: Type/ Width	Shimano Drive System	
Front Derailleur	N/A	
Seat Post: Dia./Binder	31.6 mm / 35 mm	
▲ Min. Seat Post Insert	75 mm	
▲ Tire Size x Max. Width	27.5 in x 2.8 in (measured)	

Item	Specification	
	eVerb Amp	eVerb Current
▲ Max. Fork Length:	541 mm	
Rear Shock: Eye-To-Eye / Stroke / Bushing Width	90 mm x 50 mm UPR: 40 mm x 8 mm, LWR: 30 mm x 8 mm	
Recommended Sag:	30%	
Chain Guide	N/A	
Brakes: Mount Type / Min/Max Rotor Dia.	Post Mount / 160 mm / 180 mm	
Axles: Type/Length	MAXLE TA / 148 mm x 12 mm	
▲ Intended Use:	ASTM CONDITION 3, Cross-Country, Marathon	
▲ Max. Weight Limit: Total (rider+all equipment):	305 lb / 138 kg	



ID	Part Number	Description
A	KG0006N02	Derailleur Hanger TA ST SS 056 Standard Mount
B	K36078	eVerb Shock Bolts
C	K36058	eVerb Main Pivot Hardware

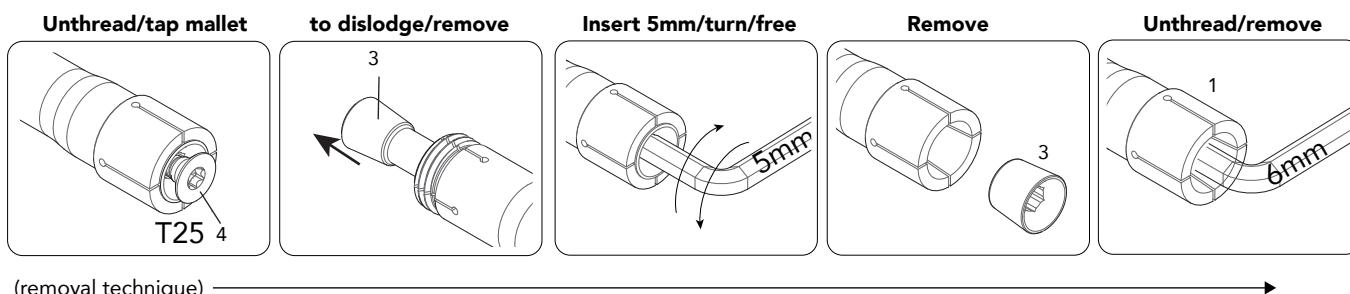
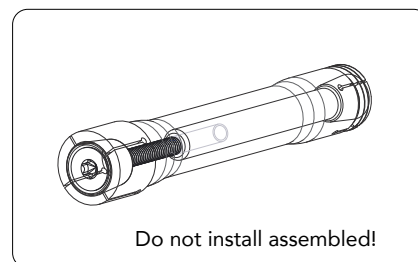
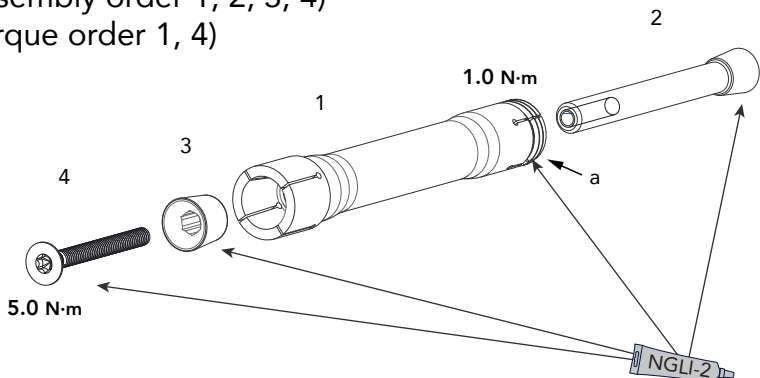
eVERB (2018-2019)



ID	Part Number	Description
E	K32098	eVerb Shift Brake Battery Grommets
D	K22008	Shimano E8000 Motor Mounting Bolts
F	KG0057N01	Seat Binder GT 35 mm
C	K36048	Pivot Bearing 61903-2RS1 (QTY 2)

LockR

(Assembly order 1, 2, 3, 4)
(Torque order 1, 4)



Installation

- Disassemble and clean all parts of the LockR axle. Do not install it assembled.

Inspect the parts for damage (burrs, scratches, deformity, wear). Replace the entire LockR assembly if any damage is found.
- Apply a light coating of a high-quality bicycle bearing grease to all parts.
- Align the linkage and bearing and insert the threaded end of the pivot axle (1) into the non-drive side.
- Tighten the inserted pivot axle to 1 Nm using a 6 mm hex key fitted torque wrench from the non-drive side.

NOTICE
Use a calibrated torque wrench. Exceeding 1 Nm will result in permanent damage to the LockR pivot system.

- Insert the wedge bolt (2) into the drive side of the axle and insert the small end of the wedge (3) into the non-drive side axle head.
- Thread the screw (4) into wedge bolt with a wrench and tighten to 5.0 Nm.

Removal

IMPORTANT: Be sure to support the bike or swingarm to prevent personal injury or bike damage when removing/disconnecting linkages of an axle.

- Loosen the screw (4) 4-6 turns using a T25 Torx key.
- Tap head of screw (4) with a rubber mallet to un-seat the wedge bolt (2).
- Remove the screw (4) and wedge bolt (2) from the axle (1).
- Insert a 5 mm hex key to twist the wedge (3) free and remove it (shown). If wedge sticks insert a wooden or plastic dowel into the drive side and use it to tap out the wedge (3).
- Insert a 6 mm hex key into the axle (1) on the non-drive side and turn counter-clockwise until it can be removed.

Special Brake Mounting Bolts

The following bike models require the use of special, longer length rear brake attachment bolts :

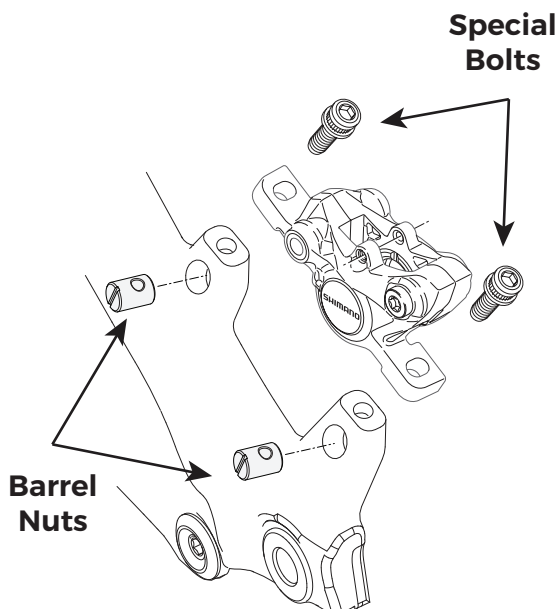
HELION CARBON (2015-2018)

FORCE CARBON (2015-2018)

SENSOR CARBON (2015-2018)

ZASKAR CARBON (2016-2019)

- Correct length bolts are required to ensure correct thread engagement of any brake caliper.
- Your bike has been assembled with the correct length bolts.
- If you change the original equipment brakes, on your bike or are building a frameset be sure to use the correct length brake bolts.
- Apply Loctite 242 (blue) to the bolt threads and tighten to the specified torque.
- Consult Cycling Sports Group Support.



Part Number	Description	SHIMANO		SRAM	
		180	160	180	160
KG0066N01	Kit Caliper Bolt XT AOS 180	✓			
KG0064N01	Kit Caliper Bolt XTR AOS 180	✓			
KG0067N01	Kit Caliper Bolt XT AOS 160 Direct Mount		✓		
KG0065N01	Kit Caliper Bolt XTR AOS 160 Direct Mount		✓		
Consult CSG Support	SRAM 21 mm Caliper Bolts			✓	✓

KG0017N02	M6 Post Mount Barrel Nut (QTY 10)	✓	✓	✓	✓
-----------	-----------------------------------	---	---	---	---

⚠ WARNING

USE ONLY THE SPECIAL LENGTH BRAKE CALIPER MOUNTING BOLTS. YOU CAN BE YOU SERIOUSLY INJURED, PARALYZED OR KILLED IF YOU IGNORE THIS WARNING.

eTRAFFIC (2018-2019)

Part Number	Description
K32028	Ebike Frame Grommets
ATIDH0200	Derailleur Hanger QR ST SS 046

BMX (2018-2019)

Part Number	Description
K22018	Mid Bottom Bracket With Spindle
K22028	Mid Bottom Bracket Bearings And Hardware
K22038	American 68mm Loose Ball Bottom Bracket
K2204870	2 Piece BMX Crank 170mm
K2205870	3 Piece BMX Crankarm Left 170mm
K2206870	3 Piece BMX Crankarm Right 170mm
K81008	One Piece Driver RH 9T
K81018	One Piece Driver LH 9T
K87008	Front Wheel 20in 36H Female Axle
K87018	Rear Wheel 20in 36H Freecoaster RH
K87028	Rear Wheel 20in 36H Cassette LH
K87038	Rear Wheel 20in 36H Cassette RH

Aggressor (2019)

Item	Specification
Head Tube	UPR: 1-1/8 in, LWR: 1-1/8 in
Bottom Bracket Type/Width	BSA / 73 mm
Front Derailleur	31.8 mm clamp
Seat Post Dia./Binder	27.2 mm / 31.8 mm
▲ Minimum Seat Post Insert	100 mm
▲ Tire Size x Max. Width	27.5 in x 2.1 in (measured)
▲ Max. Fork Length	467

Item	Specification
Brake: Mount Type / Min/Max Rotor Dia.	"RR: Post Mount/160 mm FT: Post Mount/ 160 mm"
Front Axle: Type/Length	QR / 100 x 9 mm
Rear Axle: Type/Length	QR / 135 x 9 mm
▲ Intended Use	ASTM CONDITION 2: General Purpose Riding
▲ Max. Weight Limit	330 lbs / 150 kg

Part Number	Description	Notes
KG0102N01	GT Hardtail Bottom Bracket Cable Guide	
ATIDH0246	Derailleur Hanger QR ST SS 054	

Transeo (2019)

Item	Specification
Head Tube	UPR: 1-1/8 in, LWR: 1-1/8 in
Bottom Bracket Type/Width	BSA / 73 mm
Front Derailleur	31.8 mm clamp
Seat Post Dia./Binder	27.2 mm / 31.8 mm
▲ Minimum Seat Post Insert	100 mm
▲ Tire Size x Max. Width	700c x 35 mm (measured)
▲ Max. Fork Length	493 mm

Item	Specification
Brake: Mount Type / Min/Max Rotor Dia.	"RR: Post Mount/160 mm FT: Post Mount/ 160 mm"
Front Axle: Type/Length	QR / 100 x 9 mm
Rear Axle: Type/Length	QR / 135 x 9 mm
▲ Intended Use	ASTM CONDITION 2: General Purpose Riding
▲ Max. Weight Limit	330 lbs / 150 kg

Part Number	Description	Notes
K33177	Derailleur Hanger QR ST SS 007	

Avalanche (2019)

Item	Specification
Head Tube	UPR: 1-1/8 in, LWR: 1-1/2 in
Bottom Bracket Type/Width	BSA / 73 mm
Front Derailleur	34.9 mm Clamp
Seat Post Dia./Binder	30.9 mm /34.9 mm
▲ Minimum Seat Post Insert	100 mm
▲ Tire Size x Max. Width (measured)	*XS/SM: 27.5 in x 2.1 in MD/LG/ XL: 29 in x 2.1 in
▲ Max. Fork Length	500 mm

Item	Specification
Brake: Mount Type / Min/Max Rotor Dia.	"RR: Post Mount/160 mm FT: Post Mount/ 160 mm"
Front Axle: Type/Length	QR / 100 x 9 mm
Rear Axle: Type/Length	QR / 135 x 9 mm
▲ Intended Use	ASTM CONDITION 2: General Purpose Riding
▲ Max. Weight Limit	330 lbs / 150 kg

Part Number	Description	Notes
KG0102N01	GT Hardtail Bottom Bracket Cable Guide	
ATIDH0233	Derailleur Hanger QR ST SS 048	

La Bomba (2019)

Item	Specification
Head Tube	UPR: 1-1/8 in, LWR: 1-1/2 in
Bottom Bracket Type/Width	Euro
Seat Post Dia./Binder	27.2 mm/31.8 mm
▲ Minimum Seat Post Insert	100 mm
▲ Tire Size x Max. Width	26" x 2.2"/61 mm measured
▲ Max. Fork Length	478 mm

Item	Specification
Brake: Mount Type / Min/Max Rotor Dia.	"RR: Post Mount/160 mm FT: Post Mount/ 160 mm"
Rear Axle: Type/Length	3/8 in / 135 mm

Part Number	Description	Notes
K86019	LaBomba Axle Adapters and Hardware	

Palomar (2019)

Item	Specification
Head Tube	UPR: 1-1/8 in, LWR: 1-1/8 in
Bottom Bracket Type/Width	BSA / 73 mm
Front Derailleur	31.8 mm clamp
Seat Post Dia./Binder	27.2 mm / 31.8 mm
▲ Minimum Seat Post Insert	100 mm
▲ Tire Size x Max. Width (measured)	27.5 in x 2.1 in (measured)
▲ Max. Fork Length	487 mm

Item	Specification
Brake: Mount Type / Min/Max Rotor Dia.	Linear Pull
Front Axle: Type/Length	QR / 100 x 9 mm
Rear Axle: Type/Length	QR / 135 x 9 mm
▲ Intended Use	ASTM CONDITION 2: General Purpose Riding
▲ Max. Weight Limit	330 lbs / 150 kg

Palomar AL (2019)

Item	Specification
Head Tube	UPR: 1-1/8 in, LWR: 1-1/8 in
Bottom Bracket Type/Width	BSA / 73 mm
Front Derailleur	31.8 mm clamp
Seat Post Dia./Binder	27.2 mm / 31.8 mm
▲ Minimum Seat Post Insert	100 mm
▲ Tire Size x Max. Width	27.5 in x 2.1 in (measured)
▲ Max. Fork Length	487 mm

Item	Specification
Brake: Mount Type / Min/Max Rotor Dia.	Linear Pull
Front Axle: Type/Length	QR / 100 x 9 mm
Rear Axle: Type/Length	QR / 135 x 9 mm
▲ Intended Use	ASTM CONDITION 2: General Purpose Riding
▲ Max. Weight Limit	330 lbs / 150 kg

Part Number	Description	Notes
ATIDH0239	Derailleur Hanger QR ST SS 052	Palomar AL (aluminum)
ATIDH0246	Derailleur Hanger QR ST SS 054	Palomar (steel)

Performer (2019)

Item	Specification
Head Tube	UPR: 1-1/8 in, LWR: 1-1/8 in
Bottom Bracket Type/Width	MID
Seat Post Dia./Binder	25.4 mm / Integrated
▲ Tire Size x Max. Width (measured)	FR: 20 in x 2.35 in / 61 mm RR: 20 in x 2.2 in / 61 mm

Item	Specification
Brake: Mount Type / Min/Max Rotor Dia.	U-Brake
Front Axle: Type/Length	3/8 in / 100 mm
Rear Axle: Type/Length	14 mm / 110 mm

Part Number	Description	Notes
K22018	Mid Bottom Bracket With Spindle	
K22028	Mid Bottom Bracket Bearings And Hardware	
K2205870	3 Piece BMX Crankarm Left 170mm	
K2206870	3 Piece BMX Crankarm Right 170mm	
K87008	Front Wheel 20in 36H Female Axle	

Pro Performer 26 (2019)

Item	Specification
Head Tube	UPR: 1-1/8 in, LWR: 1-1/8 in
Bottom Bracket Type/Width	MID
Seat Post Dia./Binder	25.4 mm / 28.6 mm
▲ Tire Size x Max. Width (measured)	26 in x 2.2 in / 61 mm

Item	Specification
Brake: Mount Type / Min/Max Rotor Dia.	U-Brake
Front Axle: Type/Length	3/8 in / 100 mm
Rear Axle: Type/Length	3/8 in / 110 mm

Part Number	Description	Notes
K22018	Mid Bottom Bracket With Spindle	
K22028	Mid Bottom Bracket Bearings And Hardware	
K2205870	3 Piece BMX Crankarm Left 170mm	
K2206870	3 Piece BMX Crankarm Right 170mm	

Pro Performer 29 (2019)

Item	Specification
Head Tube	UPR: 1-1/8 in, LWR: 1-1/8 in
Bottom Bracket Type/Width	MID
Seat Post Dia./Binder	25.4 mm / 28.6 mm
▲ Tire Size x Max. Width (measured)	29 in x 2.1 in / 61 mm

Item	Specification
Brake: Mount Type / Min/Max Rotor Dia.	U-Brake
Front Axle: Type/Length	3/8 in / 100 mm
Rear Axle: Type/Length	14 mm / 110 mm

Part Number	Description	Notes
K22018	Mid Bottom Bracket With Spindle	
K22028	Mid Bottom Bracket Bearings And Hardware	
K2205870	3 Piece BMX Crankarm Left 170mm	
K2206870	3 Piece BMX Crankarm Right 170mm	

Slammer (2019)

Item	Specification
Head Tube	UPR: 1-1/8 in, LWR: 1-1/8 in
Bottom Bracket Type/Width	American
Seat Post Dia./Binder	25.4 mm / Integrated
▲ Tire Size x Max. Width (measured)	20 in x 2.3 in / 61 mm

Item	Specification
Brake: Mount Type / Min/Max Rotor Dia.	U-Brake
Front Axle: Type/Length	3/8 in / 100 mm
Rear Axle: Type/Length	14 mm / 110 mm

Part Number	Description	Notes
K22018	Mid Bottom Bracket With Spindle	
K22028	Mid Bottom Bracket Bearings And Hardware	
K2205870	3 Piece BMX Crankarm Left 170mm	
K2206870	3 Piece BMX Crankarm Right 170mm	
K87008	Front Wheel 20in 36H Female Axle	
K81008	One Piece Driver RH 9T	

Team Editions (2019)

Item	Specification
Head Tube	UPR: 1-1/8 in, LWR: 1-1/8 in
Bottom Bracket Type/Width	MID
Seat Post Dia./Binder	25.4 mm / Integrated
▲ Tire Size x Max. Width (measured)	20 in x 2.3 in / 61 mm

Item	Specification
Brake: Mount Type / Min/Max Rotor Dia.	U-Brake
Front Axle: Type/Length	3/8 in / 100 mm
Rear Axle: Type/Length	14 mm / 110 mm

Part Number	Description	Notes
K22018	Mid Bottom Bracket With Spindle	
K22028	Mid Bottom Bracket Bearings And Hardware	
K2205870	3 Piece BMX Crankarm Left 170mm	
K2206870	3 Piece BMX Crankarm Right 170mm	
K87008	Front Wheel 20in 36H Female Axle	
K81008	One Piece Driver RH 9T	

Speed Series (2019)

Pro,Pro XL XXL XXXL

Item	Specification
Head Tube	UPR: 1-1/8 in, LWR: 1-1/2 in
Bottom Bracket Type/Width	BB86
Seat Post Dia./Binder	27.2 mm /31.8 mm
▲ Tire Size x Max. Width (measured)	20 in x 1.75 in / 50 mm

Item	Specification
Brake: Mount Type / Min/Max Rotor Dia.	Post Mount / 140 mm
Front Axle: Type/Length	20 mm / 100 mm
Rear Axle: Type/Length	3/8 in / 110 mm

Part Number	Description	Notes
K31009	GT BMX Disc Dropout Brake Mount	
K33058	Chain Tensioner Speed/Pro	

Expert

Item	Specification
Head Tube	UPR: 1-1/8 in, LWR: 1-1/8 in
Bottom Bracket Type/Width	Euro
Seat Post Dia./Binder	22.2 mm / 25.4 mm
▲ Tire Size x Max. Width (measured)	20 in x 1-3/8 in /35 mm

Item	Specification
Brake: Mount Type / Min/Max Rotor Dia.	Linear Pull
Front Axle: Type/Length	20 mm / 100 mm
Rear Axle: Type/Length	3/8 in / 110 mm

Micro, Mini

Item	Specification
Head Tube	UPR: 1 in, LWR: 1 in
Bottom Bracket Type/Width	Euro
Seat Post Dia./Binder	22.2 mm / 25.4 mm
▲ Tire Size x Max. Width (measured)	20 in x 1 1/8 in / 35 mm

Item	Specification
Brake: Mount Type / Min/Max Rotor Dia.	Linear Pull
Front Axle: Type/Length	3/8 in / 100 mm
Rear Axle: Type/Length	3/8 in / 110 mm

Speed Series (2019)

Pro XL24

Item	Specification
Head Tube	UPR: 1-1/8 in, LWR: 1-1/2 in
Bottom Bracket Type/Width	BB86
Seat Post Dia./Binder	27.2 mm / 31.8 mm
▲ Tire Size x Max. Width (measured)	24 in x 1.75 in / 50 mm

Item	Specification
Brake: Mount Type / Min/Max Rotor Dia.	Post Mount / 140 mm
Front Axle: Type/Length	20 mm / 100 mm
Rear Axle: Type/Length	3/8 in / 110 mm

Expert XL

Item	Specification
Head Tube	UPR: 1-1/8 in, LWR: 1-1/8 in
Bottom Bracket Type/Width	Euro
Seat Post Dia./Binder	27.2 mm / 31.8 mm
▲ Tire Size x Max. Width (measured)	20 in x 1.5 in / 45 mm

Item	Specification
Brake: Mount Type / Min/Max Rotor Dia.	Linear Pull
Front Axle: Type/Length	20 mm / 100 mm
Rear Axle: Type/Length	3/8 in / 110 mm

Junior

Item	Specification
Head Tube	UPR: 1 in, LWR: 1 in
Bottom Bracket Type/Width	Euro
Seat Post Dia./Binder	22.2 mm / 25.4 mm
▲ Tire Size x Max. Width (measured)	20 in x 1-3/8 in / 35 mm

Item	Specification
Brake: Mount Type / Min/Max Rotor Dia.	Linear Pull
Front Axle: Type/Length	3/8 in / 100 mm
Rear Axle: Type/Length	3/8 in / 110 mm

Mach One (2019)

Pro

Item	Specification
Head Tube	UPR: 1-1/8 in, LWR: 1-1/8 in
Bottom Bracket Type/Width	Euro
Seat Post Dia./Binder	25.4mm / Internal
▲ Tire Size x Max. Width (measured)	20 in x 1.75 in / 50 mm

Item	Specification
Brake: Mount Type / Min/Max Rotor Dia.	Linear Pull
Front Axle: Type/Length	3/8 in / 100 mm
Rear Axle: Type/Length	3/8 in / 110 mm

Expert

Item	Specification
Head Tube	UPR: 1-1/8 in, LWR: 1-1/8 in
Bottom Bracket Type/Width	Euro
Seat Post Dia./Binder	25.4 mm / 28.6 mm
▲ Tire Size x Max. Width (measured)	20 in x 1-3/8 in / 35 mm

Item	Specification
Brake: Mount Type / Min/Max Rotor Dia.	Linear Pull
Front Axle: Type/Length	3/8 in / 100 mm
Rear Axle: Type/Length	3/8 in / 110 mm

Mini

Item	Specification
Head Tube	UPR: 1 in, LWR: 1 in
Bottom Bracket Type/Width	Euro
Seat Post Dia./Binder	25.4 mm / 28.6 mm
▲ Tire Size x Max. Width (measured)	20 in x 1-1/8 in / 35 mm

Item	Specification
Brake: Mount Type / Min/Max Rotor Dia.	Linear Pull
Front Axle: Type/Length	3/8 in / 100 mm
Rear Axle: Type/Length	3/8 in / 110 mm

Mach One (2019)

Junior

Item	Specification
Head Tube	UPR: 1 in, LWR: 1 in
Bottom Bracket Type/Width	Euro
Seat Post Dia./Binder	25.4 mm / 28.6 mm
▲ Tire Size x Max. Width (measured)	20 in x 1-1/8 in / 35 mm

Item	Specification
Brake: Mount Type / Min/Max Rotor Dia.	Linear Pull
Front Axle: Type/Length	3/8 in / 100 mm
Rear Axle: Type/Length	3/8 in / 110 mm

Mach One 24

Item	Specification
Head Tube	UPR: 1-1/8 in, LWR: 1-1/8 in
Bottom Bracket Type/Width	Euro
Seat Post Dia./Binder	27.2 mm / 31.8 mm
▲ Tire Size x Max. Width (measured)	FR: 24 in x 2.125 in / 54 mm RR: 24 in x 1.75 in / 54 mm

Item	Specification
Brake: Mount Type / Min/Max Rotor Dia.	Linear Pull
Front Axle: Type/Length	3/8 in / 100 mm
Rear Axle: Type/Length	3/8 in / 110 mm

Mach One 16

Item	Specification
Head Tube	UPR: 1-1/8 in, LWR: 1-1/8 in
Bottom Bracket Type/Width	American
Seat Post Dia./Binder	22.2 mm / 26.8 mm
▲ Tire Size x Max. Width (measured)	16 in x 1.75 in / 45 mm

Item	Specification
Brake: Mount Type / Min/Max Rotor Dia.	Linear Pull
Front Axle: Type/Length	3/8 in / 100 mm
Rear Axle: Type/Length	3/8 in / 110 mm

Rear Derailleur Hangers

Platform	Model Year	Model	Part Number
Avalanche	2012-2019	Avalanche	ATIDH0233
Backwoods	2017	Backwoods 27.5	ATIDH0246
		Backwoods 29	
ePantera	2018-2019	ePantera Bolt	K33059
	2018-2019	ePantera Dash	ATIDH0233
eTraffic	2018-2019	eTraffic	K33177
eVerb	2018-2019	eVerb	KG0006N02 (Standard)
Force	2015-2019	Force	KG0007N02 (Direct)
	2015-2019	Force	KG0006N02 (Standard)
Fury	2019	Fury	K33029 (Direct)
	2019		K33039 (Standard)
	2014-2018		KG0022N02 (Direct)
	2014-2018		KG0021N02 (Standard)
Grade	2015-2019	Grade	ATIDH0183
GTR	2019	GTR	K33049
Helion	2015-2018	Helion	ATIDH0233
			KG0007N02 (Direct)
			KG0006N02 (Standard)
Karakoram	2017	Karakoram	ATIDH0233
	2013-2016		ATIDH0246
LaBomba	2018-2019	LaBomba	K86019
	2011-2014		ATIDH0063 (Drive Side)
	2011-2014		ATIDH0062 (Non-Drive Side)
Laguna	2009-2019	Laguna	ATIDH0021
Lola	2017	Lola	ATIDH0246
Nomad	2016-2018	Nomad	K33177

Rear Derailleur Hangers

Platform	Model Year	Model	Part Number
Outbound	2017-2018	Outbound	ATIDH0246
Outpost	2017-2019	Outpost	ATIDH0246
Palomar	2017-2019	Palomar Alloy	ATIDH0246
	2014-2019	Palomar Steel	
Pantera	2017-2019	Pantera	K33027 (Direct)
	2017-2019		K33047 (Standard)
Passage	2017	Passage	K33177
Ricochet	2017	Ricochet Plus	ATIDH0246
Roundabout	2017	Roundabout	K33177
Sanction	2016-2019	Sanction	KG0006N02 (Standard)
	2016-2019		KG0007N02 (Direct)
	2015		KG0021N02 (Standard)
Sensor	2014-2019	Sensor	KG0006N02 (Standard)
	2014-2019		KG0007N02 (Direct)
	2017-2018		ATIDH0233 (QR)
	2015	Sensor X	KG0007N02 (Direct)
	2015		KG0006N02 (Standard)
Speed Series	2019	Speed Series	K31009 (Disc Non-Drive)
	2016-2018		KG0069N01 (Rim Drive & Non-Drive)
Sportive	2015-2018	Sportive	ATIDH0183
Stomper	2017	Stomper	ATIDH0246
Tachyon	2014-2015	Tachyon	ATIDH0183
Talera	2017	Talera	K33177
Timberline	2013-2015	Timberline	ATIDH0246

Rear Derailleur Hangers

ATIDH0183



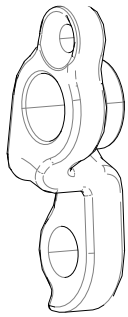
K33027



K33047



K33059



K33177



ATIDH0021



ATIDH0062



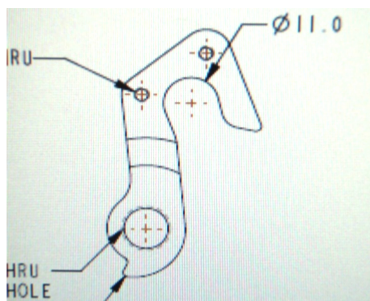
ATIDH0063



ATIDH0200



ATIDH0233



ATIDH0242



ATIDH0246



Freehub Bodies

Model Code	Bike Model	Hub Brand	Freehub Body Kit Part Number
G11109M	700 M Grade Crb Pro	NOTUBES	Contact Hub Manufacturer
G11209M	700 M Grade Crb Expert	FORMULA	KP418/
G11309M	700 M Grade Crb Elite	FORMULA	KP415/
G11279M	700 M Grade Al Expert	FORMULA	KP415/
G11358M	700 M Grade Al Comp	FORMULA	KP413/
G12109M	700 M GTR Elite	FORMULA	K81028
G12209M	700 M GTR Comp	FORMULA	KP459/
G12309M	700 M GTR Sport	FORMULA	KP459/
G21109M	29 M Fury Team	FORMULA	KP460/
G21209M	27.5/29 M Fury Pro	FORMULA	KP460/
G21309M	27.5 M Fury Expert	FORMULA	KP460/
G22209M	27.5 M Sanction Pro	FORMULA	K81039
G22309M	27.5 M Sanction Expert	FORMULA	KP414/
G22409M	27.5 M Sanction Elite	FORMULA	KP414/
G23209M	27.5 M Force Crb Pro	FORMULA	K81088
G23309M	27.5 M Force Crb Expert	FORMULA	K81088
G23409M	27.5 M Force Al Elite	FORMULA	KP460/
G23509M	27.5 M Force Al Comp	FORMULA	KP460/
G24209M	29 M Sensor Crb Pro	FORMULA	K81088
G24309M	29 M Sensor Crb Expert	FORMULA	K81088
G24409M	29 M Sensor Crb Elite	FORMULA	K81088
G24509M	29 M Sensor Al Comp	FORMULA	KP459/
G24609M	29 M Sensor Al Sport	FORMULA	KP460/
G25209M	27.5 M Verb Elite	FORMULA	KP413/
G25309M	27.5 M Verb Comp	FORMULA	KP413/
G26109M	29 M Zaskar Crb Pro	FORMULA	K81088
G26209M	29 M Zaskar Crb Expert	FORMULA	K81088

Freehub Bodies

Model Code	Bike Model	Hub Brand	Freehub Body Kit Part Number
G26309M	29 M Zaskar Crb Elite	FORMULA	KP460/
G26409M	29 M Zaskar Crb Comp	FORMULA	KP459/
G26359M	27.5/29 M Zaskar Al Elite	FORMULA	KP413/
G26459M	27.5/29 M Zaskar Al Comp	FORMULA	KP413/
G27208M	27.5+ M Pantera Elite	MODUS	K81029
G27308M	27.5+ M Pantera Comp	MODUS	K81029
G27408M	27.5+ M Pantera Sport	MODUS	K81029
G27129M	27.5/29 M Avalanche Expert	FORMULA	KP413/
G27229M	27.5/29 M Avalanche Elite	FORMULA	KP413/
G27329M	27.5/29 M Avalanche Comp	FORMULA	KP413/
G27429M	27.5/29 M Avalanche Sport	FORMULA	KP413/
G28119M	27.5 M Aggressor Expert	FORMULA	KP413/
G28219M	27.5 M Aggressor Comp	FORMULA	N/A
G28319M	27.5 M Aggressor Sport	FORMULA	N/A
G28358F	27.5 F Laguna Pro	FORMULA	KP413/
G28109M	27.5 M Palomar Al	MODUS	N/A
G28209M	27.5 M Palomar Stl	MODUS	N/A
G28209F	26 F Palomar Stl	MODUS	N/A
G28179M	27.5 M Outpost Expert	FORMULA	KP413/
G28279M	27.5 M Outpost Comp	FORMULA	N/A
G28379M	27.5 M Outpost Sport	FORMULA	N/A
G63209M	27.5+ M eVerb Current	FORMULA	KP414/
G63109M	27.5+ M eVerb Amp	FORMULA	KP414/
G62109M	27.5+ M ePantera Bolt	FORMULA	KP414/
G62209M	27.5+ M ePantera Dash	MODUS	K81029
G62209F	27.5+ F ePantera Dash	MODUS	K81029

Freehub Bodies

Model Code	Bike Model	Hub Brand	Freehub Body Kit Part Number
G61109M	700 M eTraffic Amp	FORMULA	KP413/
G61159U	700 U eTraffic Amp	FORMULA	KP413/
G33309M	700 M Traffic X	FORMULA	KP413/
G33409M	700 M Traffic Comp	FORMULA	N/A
G33459U	700 U Traffic Comp	FORMULA	N/A
G32109M	700 M Transeo Expert	FORMULA	KP413/
G32209M	700 M Transeo Elite	FORMULA	KP413/
G32309M	700 M Transeo Comp	FORMULA	N/A
G32409M	700 M Transeo Sport	FORMULA	N/A
G32159U	700 U Transeo Expert	FORMULA	KP413/
G32259U	700 U Transeo Elite	FORMULA	KP413/
G32359U	700 U Transeo Comp	FORMULA	N/A
G32459U	700 U Transeo Sport	FORMULA	N/A



GT
BICYCLES

CSG
CYCLING SPORTS GROUP™

©2018 CYCLING SPORTS GROUP, INC

©2018 GT BICYCLES
WWW.GTBICYCLES.COM

1 CANNONDALE WAY
WILTON, CT 06897 USA

DOREL
SPORTS